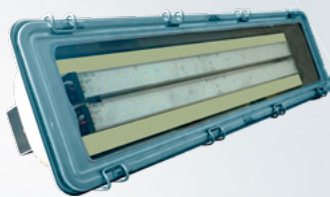


LED LINEAR LIGHTING FIXTURES

RMS - *TL2.. Series - Aisi304



- RMS.. series lighting fixtures are ideally suited for ON and OFF-SHORE applications and all kinds of industries where there is an high level of corrosion.
- Both body and glass frame are made of AISI304 stainless steel and manufactured from a single sheet of steel with no invasive mounting holes, to minimize the risk of water ingress through the housing.
- Design has been studied to allow operator working with free hands and no need to support any part of lighting fixture. One person can take care of start-up or maintenance without any aid and assistance.
- Due to inorganic materials like stainless steel and glass, RMS.. series lighting fixtures are 95% recyclable.

MARKING

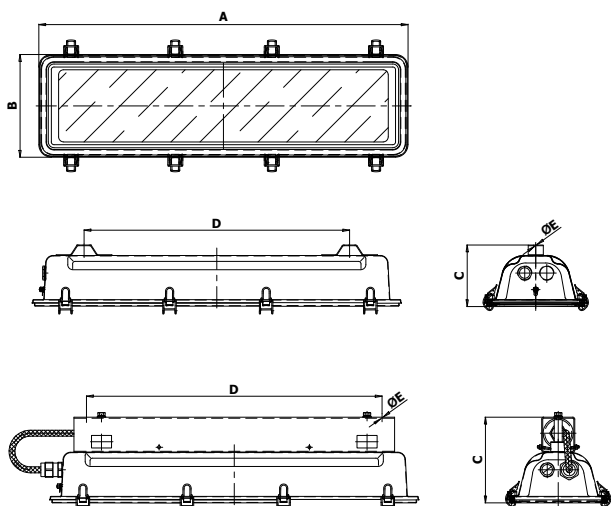
II 2G Ex db eb mb IIC T4 /T3 Gb

II 2D Ex tb IIIC T85°C Db

TECHNICAL FEATURES

Material	AISI304
IP rating	IP65
Ambient temperature range	-30°C to + 60°C
Approvals	FIDI 23 ATEX xxxxx X/xx IECEX FIDI 23.xxxx X/xx
Zones	Gas Zone: 1,2 Dust Zone: 21, 22
Rated voltage	110-277 VAC (normal & emergency service)
Frequency	50 - 60 HZ
Colour rendering index	> 80 CRI
Colour temperature	6.500 K
Power factor	cos φ ≥ 0,98
Surge protection	4kVAC
LED Lifetime (L70) Ta+25°C	> 66.000 h - according to IES LM-80-08
Hardware and screws	AISI304
Entries	2x entries M20 x 1,5
Through wiring	Loop-in / loop-out
Plug	1 x plastic dustproof plug for M20 entry protection 1 x M20 Brass nickel chrome plug c/w gasket (mounted)
Accessories upon request	AISI316L mounting kit: pole mounting, ceiling mounting, suspension mounting; Cable gland kit in brass nichel chrome or AISI316L stainless steel.

Dimensions RMS - *TL2 Series



RMS-560 LED - Lighting fixtures for emergency service

CODE	TYPE	POWER [W]	LUMEN [lm]	LUM. EFF [lm/W]	DIMENSIONS [mm]					WEIGHT [Kg]
					A	B	C	FIXING		
								D	ØE	
A020162210001	RMS 1TL2 1X19W	1X19	3.225	170	737	239	124	530	9	5,50
A020162210002	RMS 2TL2 2X19W	2X19	6.450	170	737	239	124	530	9	5,60
A020262210001	RMS 1TL2 LE-P 60 1X19W	1X19	3.225	170	737	239	177	590	9	9,50
	EMERGENCY SERVICE: 60'		500							
A020262210005	RMS 1TL2 LE-P 180 1X19W	1X19	3.225	170	737	239	177	590	9	10,50
	EMERGENCY SERVICE: 180'		500							
A020262210002	RMS 2TL2 LE-P 60 2X19W	2X19	6.450	170	737	239	177	590	9	9,60
	EMERGENCY SERVICE: 60'		500							
A020262210006	RMS 2TL2 LE-P 180 2X19W	2X19	6.450	170	737	239	177	590	9	10,60
	EMERGENCY SERVICE: 180'		500							

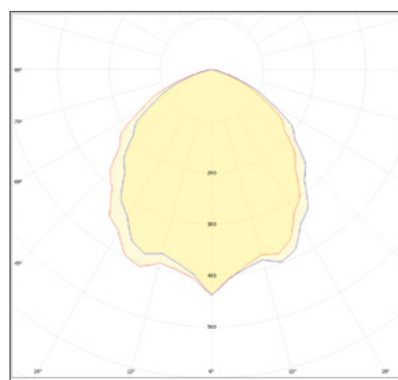
Not permanent version

CODE	TYPE	POWER [W]	LUMEN [lm]	LUM. EFF [lm/W]	DIMENSIONS [mm]					WEIGHT [Kg]
					A	B	C	FIXING		
								D	ØE	
A020262210009	RMS 1TL2 LE-NP 60 1X19W	1X19	3.225	170	737	239	177	590	9	9,50
	EMERGENCY SERVICE: 60'		500							
A020262210010	RMS 1TL2 LE-NP 180 1X19W	1X19	3.225	170	737	239	177	590	9	10,50
	EMERGENCY SERVICE: 180'		500							

Lighting accessories

CODE	TYPE
A601102010009	1" 1/2 POLE MOUNTING KIT P14 AISI316L
A601102010008	2" POLE MOUNTING KIT P14 AISI316L
A601102010005	CEILING MOUNTING KIT G3 AISI316L
A601102010012	SUSPENSION MOUNTING KIT G4 AISI316

Photometric light curves



FLUORESCENT LIGHTING AVAILABLE UPON REQUEST